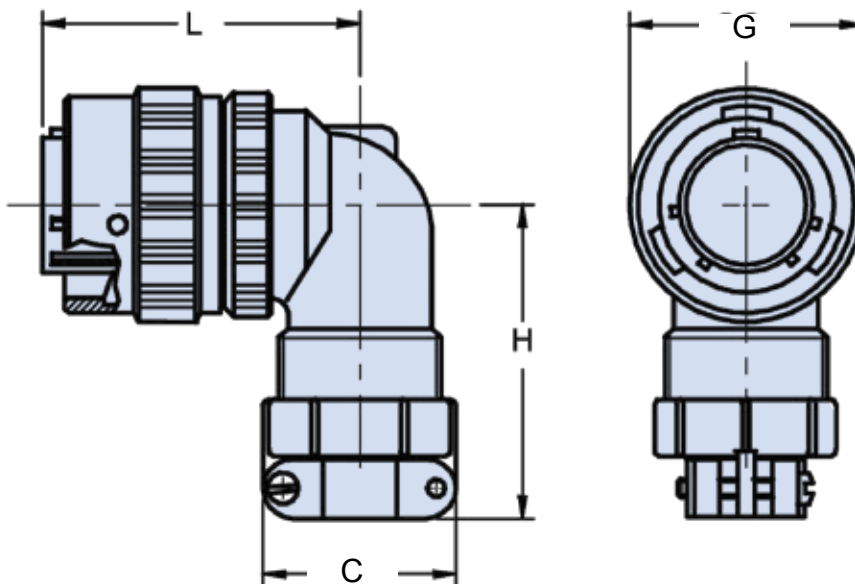
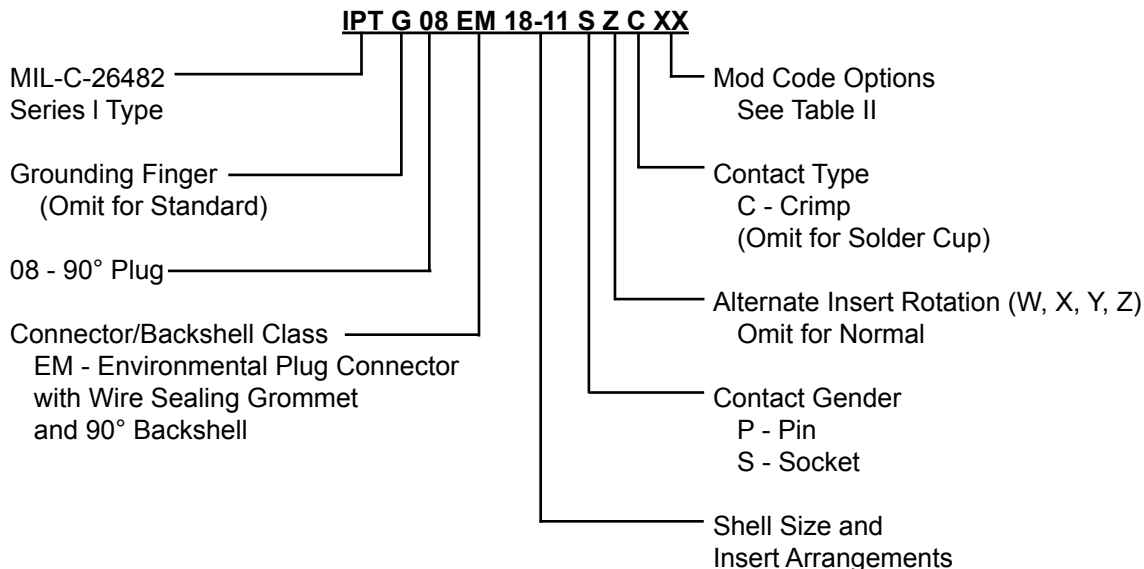


IPT 08 EM
Plug Connector
with 90° Backshell with MS 3057 Cable Clamp



APPLICATION NOTES

1. Plug with 90° backshell, sealing grommet and 90° Backshell suitable for MS3057 cable clamp.
2. Connector/Backshell Class "EM" (environmental)—Wire sealing grommet supplied.
3. Standard materials configuration consists of aluminum alloy with stainless steel coupling pins.
4. Standard contact material consists of copper alloy with gold plating over nickel.
5. A broad range of other front and rear connector accessories are available. See our website and/or contact factory for complete information.
6. Standard insert is high insulation synthetic rubber.

**IPT 08 EM
Plug Connector
with 90° Backshell with MS 3057 Cable Clamp**



TABLE I: DIMENSIONS

| Shell size | C Max. | G Max. | H ±1 | L ±1 |
|------------|-----------|-----------|---------|---------|
| 8 | 17.5 | 19.05 | 37 | 32 |
| 10 | 22.0 | 21.80 | 37 | 32 |
| 12 | 27.0 | 26.20 | 40 | 35 |
| 14 | 28.0 | 29.40 | 43 | 38 |
| 16 | 33.0 | 32.55 | 50 | 41 |
| 18 | 35.0 | 35.35 | 50 | 44 |
| 20 | 35.0 | 38.90 | 50 | 48 |
| 22 | 43.0 | 42.10 | 53 | 51 |
| 24 | 43.0 | 45.10 | 53 | 56 |

TABLE II: MODIFICATION CODES

| Shell Finish (Omit for Standard Cad/Olive Drab Finish) | Assembly with Accessories (Omit for Standard Version) |
|---|--|
| F2 - Bright Nickel Plating (RoHs) | Key Polarization (Omit for N version) W, X, Y, Z = Alternates |
| F6 - Black Electrodeposited Paint (RoHs) | N0 - Connector Less Backshell |
| F7 - Black Zn-Co Plating (RoHs) | GXXX - Custom Designed Connector |
| F8 - Olive Drab Zn-Co Plating | |

STANDARD FINISHES (For QQ-A-591 Aluminum Shells)

| Requirements | IAW RoHS | | | Not IAW RoHS | |
|--------------------------------|------------------------|-------------------------|---------------------|--|--|
| | F2 Electrolytic Nickel | F6 Black Non Conductive | F7 Black Conductive | G3 Cadmium with Olive Drab Passivation | F8 Zinc Cobalt with Olive Drab Passivation |
| Thermal Shock | -40°C + 100°C | -55°C + 125°C | -55°C + 125°C | -55°C + 125°C | -40°C + 100°C |
| Salt Spray After Thermal Shock | 24 hour | 500 hour | 500 hour | 500 hour | 200 hour |
| Electical Conductivity | Very Good | NO | Very Good | Very Good | Good |
| Abrasion Resistance | Very Good | Very Good | Good | Very Good | Good |